

GONSET 6 METER COMMUNICATOR SCHEMATIC



801 S. Main Street Burbank, California

1069-B mbp
 11-11-55

MODEL 3049 (6 VOLT)

COMPONENTS SUCH AS T1, T2, AND OTHERS NOT LISTED BELOW ARE SPECIAL AND SHOULD BE ORDERED BY SPECIAL ORDER. RESISTOR VALUES ARE 10% TOLERANCE. VOLTAGES SHOULD BE MEASURED WITH A DIODE TYPE VOLTMETER EXCEEDING 10 MEGOHMS AND AN ISOLATING RESISTOR IN THE PROBE (SUCH AS RCA VOLTOHMIST). ON SOME MODELS THE R ON SWITCH SW1 HAVE BEEN TRANSPOSED. FUSES ARE 2 AMP FOR 115 VOLT OPERATION (LOCATED IN HOT LEAD) AND 10 AMP FOR 12 VOLT OPERATION (IN HOT LEAD). NOTE: ON SOME MODELS SPECIAL "TREE" FUSES ARE USED IN AC LINE PLUG (OBTAINABLE AT MOST DIME STORES).

XMTR. CAPACITORS

- C1 10 uuF-10% Ceramic NPO
- C2 50 uuF-10% Ceramic-neg. 750
- C3 .001 uF-GMV disc ceramic
- C4 50 uuF-5% Ceramic-neg. 750
- C5 .01 uF-GMV disc ceramic
- C6 35 uuF APC
- C7 100 uuF-20% Ceramic-neg. 750
- C8 .001 uF-GMV disc Ceramic
- C9 10 uuF-10% Ceramic-neg. 750
- C10 15 uuF APC
- C11 35 uuF APC
- C12 470 uuF-10% Silver Mica
- C13 .001 uF-GMV disc ceramic
- C14 470 uuF-1000 V. Ceramic
- C15 100 uuF-1000 V. Ceramic-Silver Mica
- C16 25 uuF APC
- C17 50 uuF APC
- C18 1.5 uuF-10% Ceramic NPO
- C19 470 uuF-GMV disc ceramic
- C20 100 uuF-5% Ceramic-neg. 750
- C21 100 uuF-5% Ceramic-neg. 750
- C22 .001 uF-20% Disc ceramic
- C23 .001 uF-20% disc ceramic
- C24 .01 uF-GMV disc ceramic
- C25 .004 uF-20% disc ceramic
- C26 .001 uF-20% disc ceramic
- C27 .01 uF-GMV disc ceramic
- C28 25 uF @ 50 V.)
- C29 8 uF @ 450 V.) 85°C Electrolytic
- C30 25 uF @ 50 V.)
- C31 .001 uF-20% disc ceramic
- C32 100 uuF-20% disc ceramic
- C33 .0068 uF-1600 V. Tubular
- C34 .001 uF-20% disc ceramic
- C35 .001 uF-20% disc ceramic
- C36 .001 uF-20% disc ceramic

RCVR. CAPACITORS

- C37 .001 uF-20% disc ceramic
- C38 .001 uF-20% disc ceramic
- C39 .001 uF-20% disc ceramic
- C40 3 uuF-10% Ceramic NPO
- C41 .75 uuF-10% Ceramic NPO
- C42 RF trimmer on C43
- C43 Special 3 Gang
- C44 .001 uF-GMV disc ceramic
- C45 62 uuF-2% Ceramic-neg. 150
- C46 62 uuF-2% Ceramic-neg. 150
- C47 10 uuF-Ceramic NPO
- C48 Oscillator trimmer on C43
- C49 .0047 uF-20% disc ceramic
- C50 .01 uF-GMV disc ceramic
- C51 .01 uF-GMV disc ceramic
- C52 .001 uF-20% disc ceramic
- C53 50 uuF-10% Ceramic NPO
- C54 .01 uF-GMV disc ceramic
- C55 Coupling adjustment in some sets-
Replace with identical value where used.
- C56 .001 uF-20% disc ceramic
- C57 .01 uF-GMV disc ceramic
- C58 .01 uF-GMV disc ceramic
- C59 .01 uF-GMV disc ceramic
- C60 .01 uF-GMV disc ceramic
- C61 Coupling adjustment in some sets-
Replace with identical value where used.
- C62 100 uuF-20% Ceramic GP
- C63 .01 uF-GMV disc ceramic
- C64 .01 uF-GMV disc ceramic
- C65 50 uuF-20% Ceramic GP
- C66 .0047 uF 20% disc ceramic
- C67 .001 uF-GMV disc ceramic
- C68 470 uuF-20% disc ceramic
- C69 .01 uF-GMV disc ceramic
- C70 0.47 uF-200V. paper
- C71 .01 uF-GMV disc ceramic
- C72 .01 uF-GMV disc ceramic

- C73 0.1 uF tubular
- C74 0.1 uF tubular
- C75 .01 uF-GMV disc ceramic
- C76 .001 uF-20% disc ceramic
- C77 .001 uF-GMV disc ceramic
- C78 .001 uF-GMV disc ceramic
- C79 .01 uF-GMV disc ceramic
- C80 .01 uF-GMV disc ceramic
- C81 .01 uF-GMV disc ceramic
- C82 .001 uF-GMV disc ceramic
- C83 .001 uF-GMV disc ceramic
- C84 .01 uF-GMV disc ceramic
- C85 .001 uF-GMV disc ceramic
- C99 Coupling adjustment on some sets-
Replace with identical value where used.

POWER SUPPLY CAPACITORS

- C86 .001 uF-20% disc ceramic
- C87 .001 uF-20% disc ceramic
- C88 .001 uF-20% disc ceramic
- C89 .001 uF-20% disc ceramic
- C90 .001 uF-20% disc ceramic
- C91 .01 uF-GMV disc ceramic
- C92 .001 uF-20% disc ceramic
- C93 .001 uF-20% disc ceramic
- C94 .001 uF-20% disc ceramic
- C95 .05 uF 1600V. tubular
- C96 12 uF 450V. 85°C Electrolytic
- C97 30 uF 450V. 85°C Electrolytic
- C98 0.1 uF Tubular

XMTR. RESISTORS

- R1 100 K 1/2 watt
- R2 82 ohm 1/2 watt
- R3 100K-1 watt

TIC DIAGRAM

SYMBOL DESIGNATION. ALL
HAVING AN INPUT RESISTANCE
ME UNITS, SECTIONS F AND
LINE PLUG), 20 AMP FOR 6
AL NOMA ELECTRIC "CHRISTMAS

CONNECTOR	MATING CONNECTOR (Not Furnished)
J 1	AMPHENOL #83-1SP
J 3	PL-68
J 4	CINCH #M-93

R4 18 K $\frac{1}{2}$ watt
R5 27 K $\frac{1}{2}$ watt
R6 82 ohm $\frac{1}{2}$ watt
R7 4.7 megohm $\frac{1}{2}$ watt
R8 4.7 megohm $\frac{1}{2}$ watt
R9 22 K $\frac{1}{2}$ watt
R10 4.7 K $\frac{1}{4}$ watt-2 in parallel
R11 22 K 2 watt
R12 27 K $\frac{1}{2}$ watt
R13 100 K $\frac{1}{2}$ watt
R14 1.2 megohm $\frac{1}{2}$ watt
R15 680 ohm $\frac{1}{2}$ watt
R16 47 K $\frac{1}{2}$ watt
R17 100 K Pot. A.F.T.
R18 100 K $\frac{1}{2}$ watt
R19 270 K $\frac{1}{2}$ watt
R20 3.9 K $\frac{1}{2}$ watt
R21 470 K $\frac{1}{2}$ watt
R22 470 K $\frac{1}{2}$ watt
R23 12 K $\frac{1}{2}$ watt
R24 820 ohm 1 watt
R25 390 ohm 1 watt
R26 39 K $\frac{1}{2}$ watt
R27 39 K $\frac{1}{2}$ watt
R28 1.2 megohm $\frac{1}{2}$ watt
R29 270 K $\frac{1}{2}$ watt

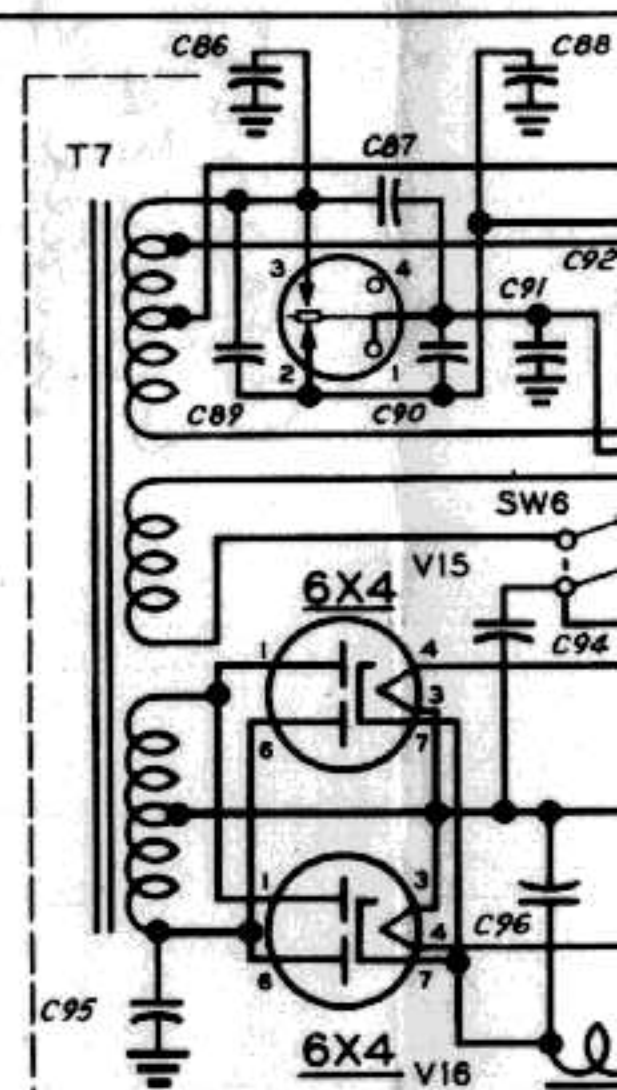
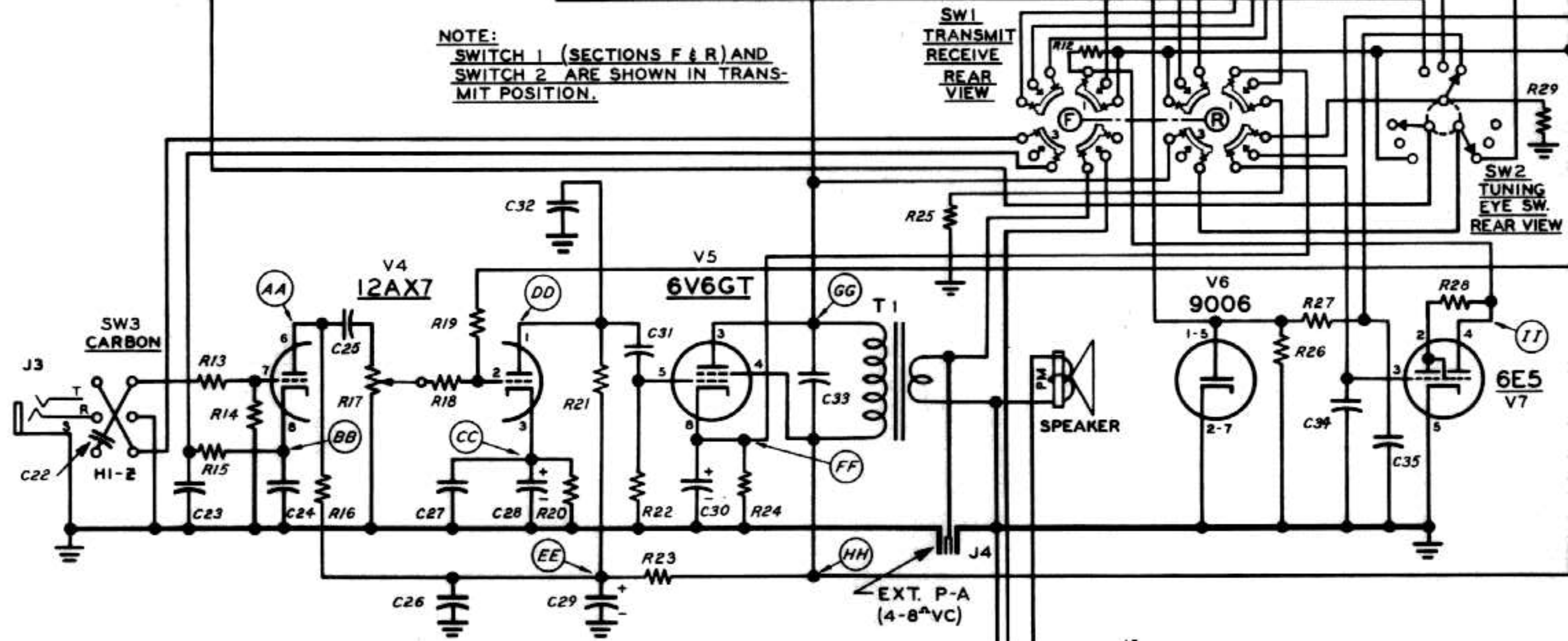
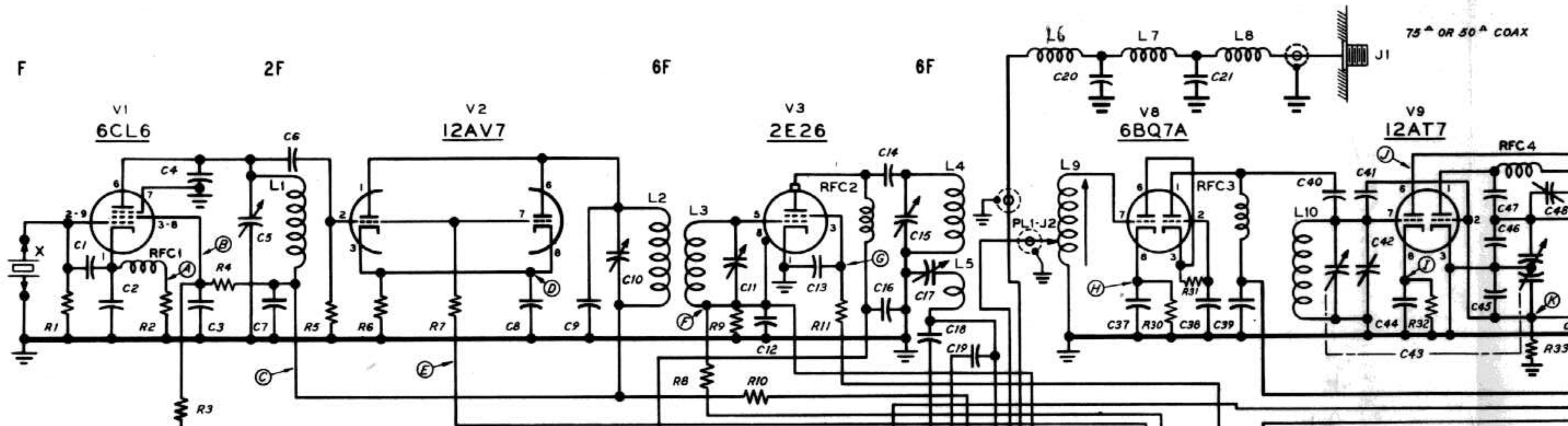
RCVR. RESISTORS

R30 120 ohm $\frac{1}{2}$ watt
R31 470 K $\frac{1}{2}$ watt
R32 4.7 K $\frac{1}{2}$ watt
R33 10 K $\frac{1}{2}$ watt
R34 39 K $\frac{1}{2}$ watt
R35 22 K 2 watt
R36 2.2 megohm $\frac{1}{2}$ watt

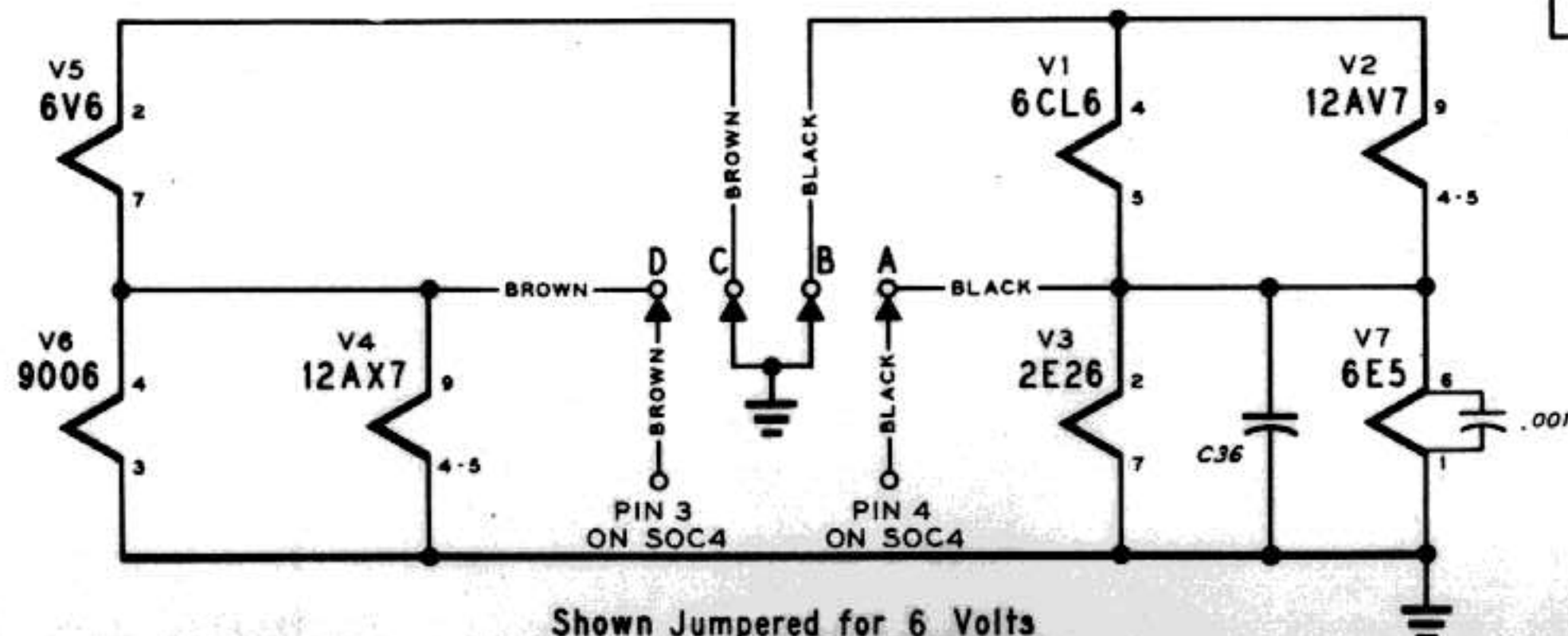
R37 100 K $\frac{1}{2}$ watt
R38 10 K 1 watt
R39 220 K $\frac{1}{2}$ watt
R40 270 K $\frac{1}{2}$ watt
R41 150 ohm $\frac{1}{2}$ watt
R42 10 K 1 watt
R43 100-1000 ohm variable
R44 10 K 1 watt
R45 1.2 megohm $\frac{1}{2}$ watt
R46 1 megohm $\frac{1}{2}$ watt
R47 270 K $\frac{1}{2}$ watt
R48 270 K $\frac{1}{2}$ watt
R49 1 megohm $\frac{1}{2}$ watt
R50 2.2 megohm $\frac{1}{2}$ watt
R51 1 megohm $\frac{1}{2}$ watt
R52 1 megohm $\frac{1}{2}$ watt
R53 150 K $\frac{1}{2}$ watt
R54 100 K $\frac{1}{2}$ watt
R55 4.7 K $\frac{1}{4}$ watt
R56 250 K Pot-Audio Taper
R57 500 K Pot-Linear Taper
R58 470 K $\frac{1}{2}$ watt
R59 1 megohm $\frac{1}{2}$ watt
R60 Masda #63 lamp
R61 15 ohm $\frac{1}{2}$ watt

J1 ANTENNA CONNECTOR - AMPHENOL 83-1R
J2 RECEIVE ANTENNA JACK - CINCH 8611
J3 MICROPHONE JACK - SWITCHCRAFT JK-43
J4 AUXILIARY SPEAKER JACK - CINCH 8171
J5 PHONE JACK - SWITCHCRAFT C-12A
L12 FILTER CHOKE - MERIT #C2974
PL1 RECEIVE ANTENNA PLUG - CINCH M-93
PL2 POWER SUPPLY PLUG - JONES P312AB
PL3 RECEIVE POWER PLUG - CINCH 2770
PL4 TRANSMIT POWER PLUG - JONES P306-FHE
RFC1 600 uH
RFC2 18 uH
RFC3 5.4 uH
RFC4 5.4 uH
RFC5 1.9 uH
SOC1] MAIN POWER SOCKET - JONES 312CCT
SOC2]
SOC3 RECEIVE POWER SOCKET - CINCH 2765
SOC4 TRANSMIT POWER SOCKET - JONES S-306-AB
SW1 TRANSMIT-RECEIVE SWITCH - SPECIAL
SW2 TUNING EYE SWITCH - SPECIAL
SW3 MIKE SELECTOR SWITCH - D.P.D.T. - WIRT #726
SW4 CLIPPER SWITCH - S.P.S.T. - WIRT #723
SW5 PILOT LIGHT SWITCH - WIRT #723
SW6 POWER SWITCH - D.P.S.T. - CARLING #216-6 OR SMITH #522
SW7 TRANS. FILAMENT SWITCH - S.P.S.T. - CARLING #110 OR SMITH #510
SPEAKER - STD. 4 INCH, 1.47 oz MAGNET
VIBRATOR - MALLORY 294, 625 OR G625C

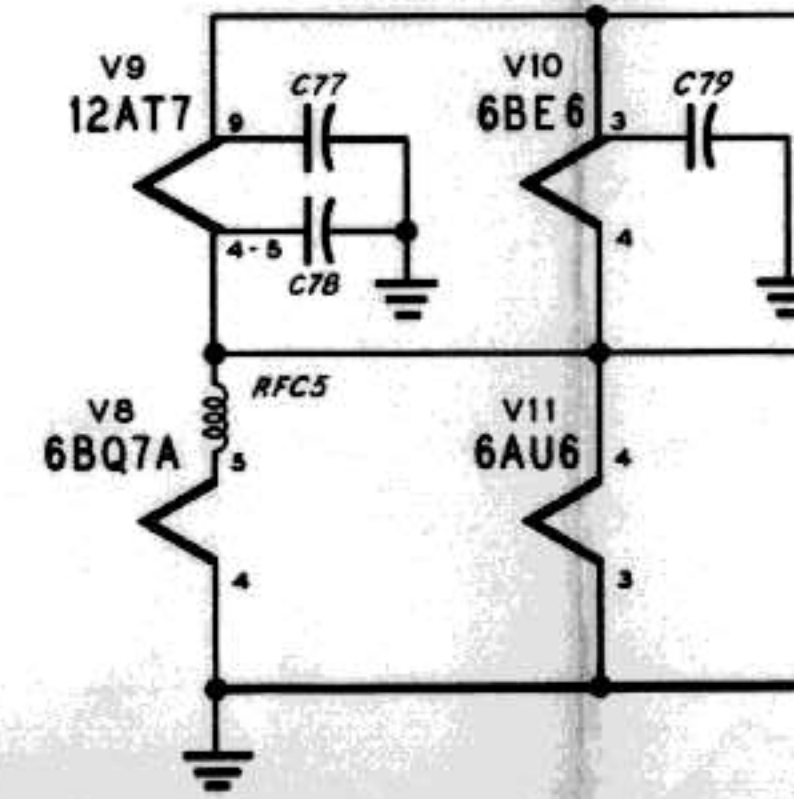
A	1.3	
B	95	
C	160	
D	1.5	
E	-80	
F	-70	
G	165	
H		1.0
I		1.5
J		52
K		-4.2
L		143
M		-1.2
N		-21.5
O		102
P		-1.2
Q		.7
R		110
S		DELETED
T		.7-5
U		95
V		-1.2
W		65
X		125
Y		190
Z		300
AA	185	300
BB	0.9	25
CC	1.3	1.6
DD	100	145
EE	225	290
FF	12	21
GG	235	295
HH	255	300
II	255	260
JJ	255	300

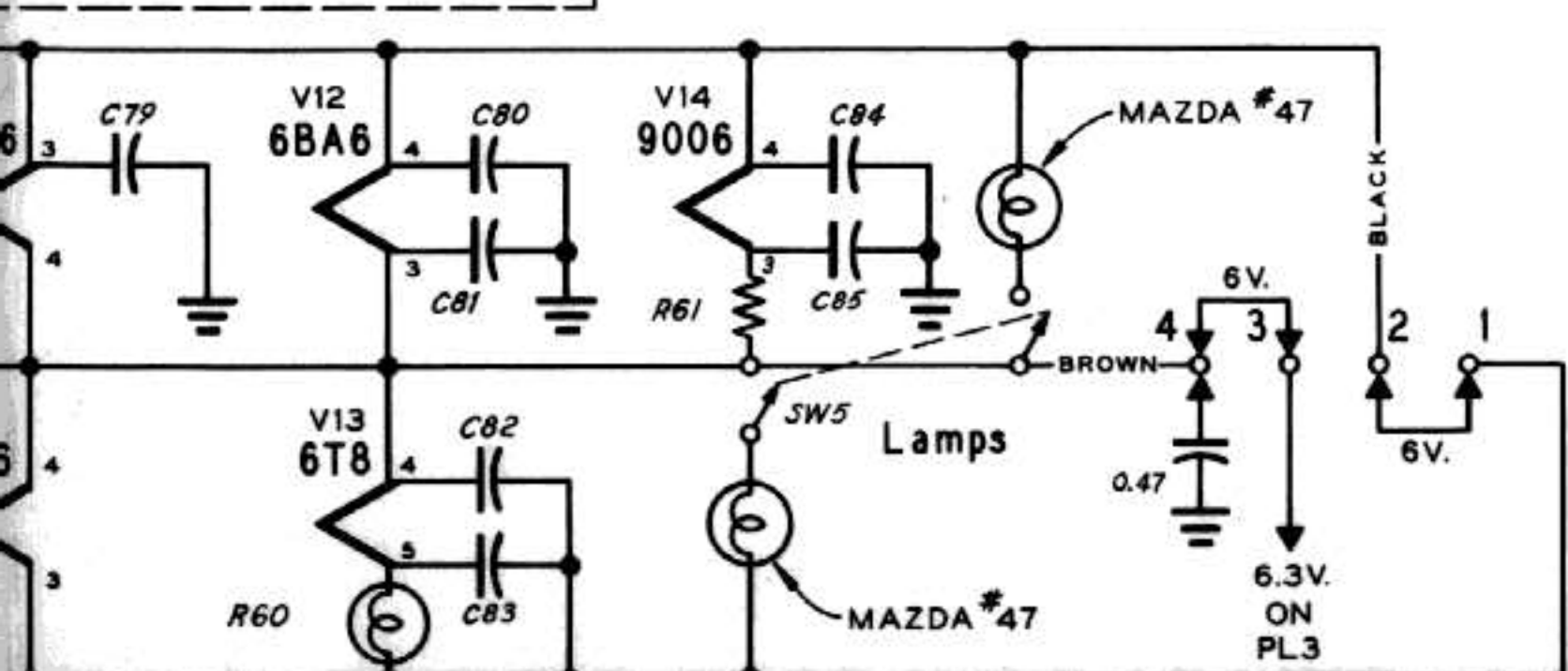
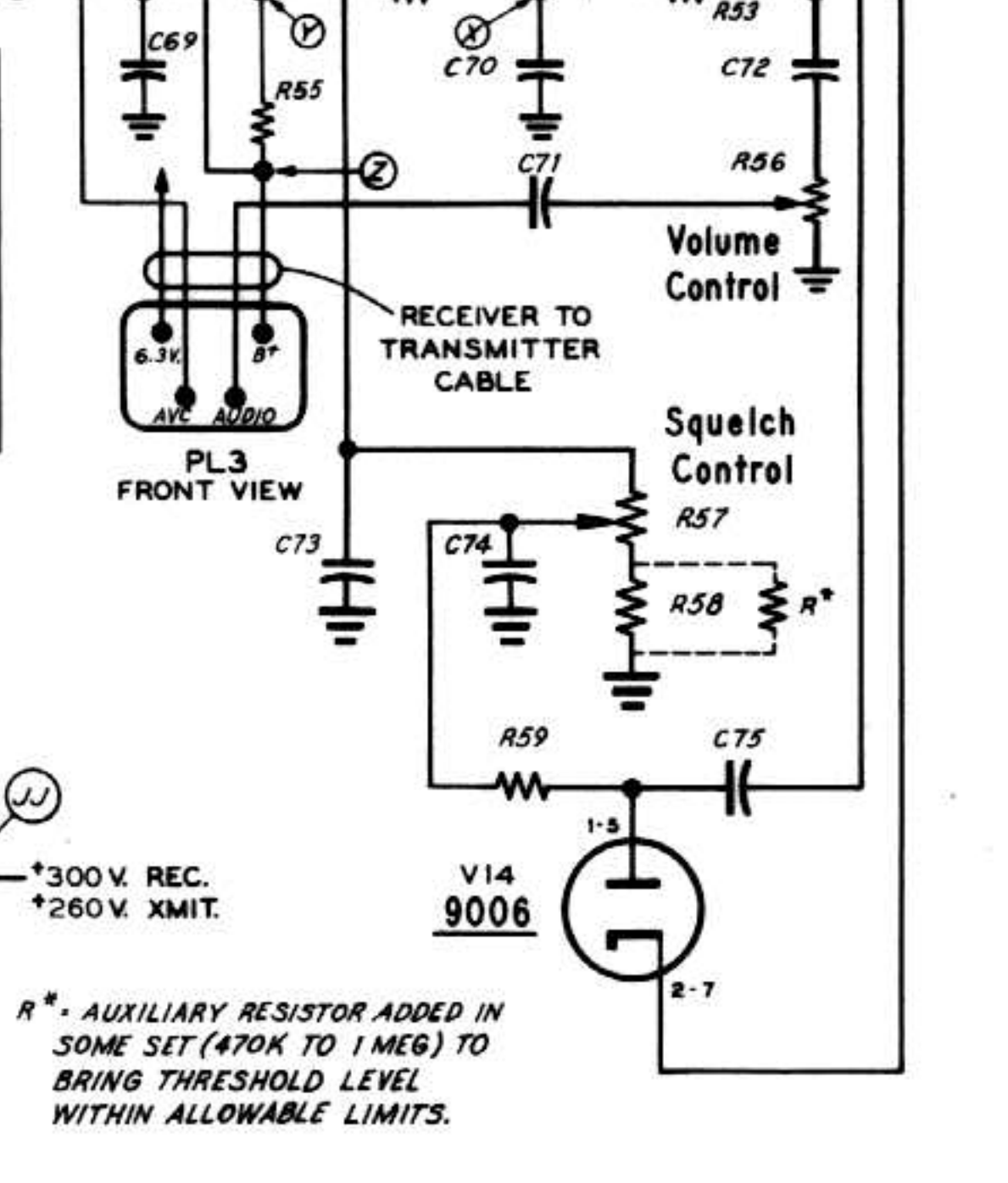
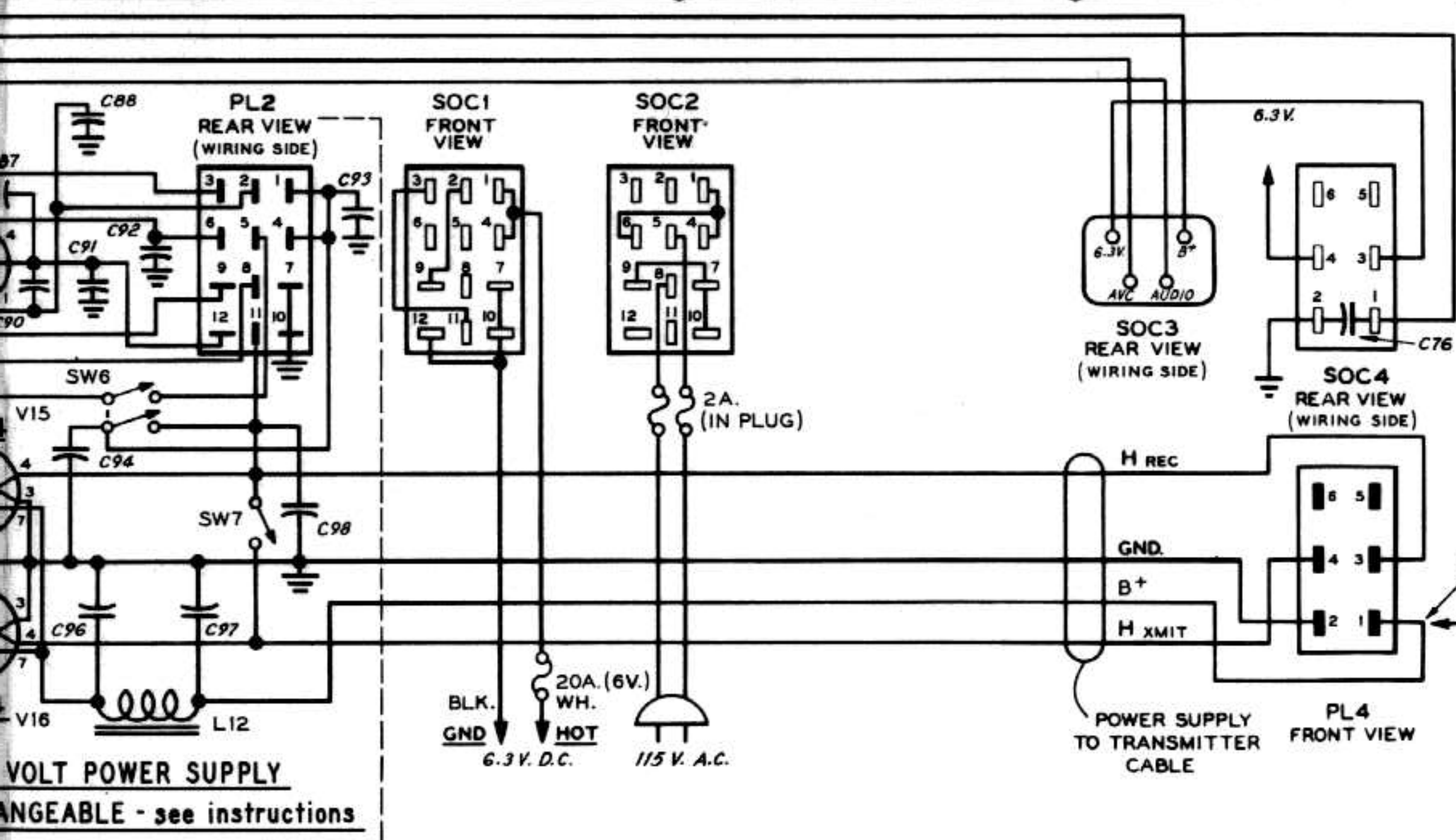
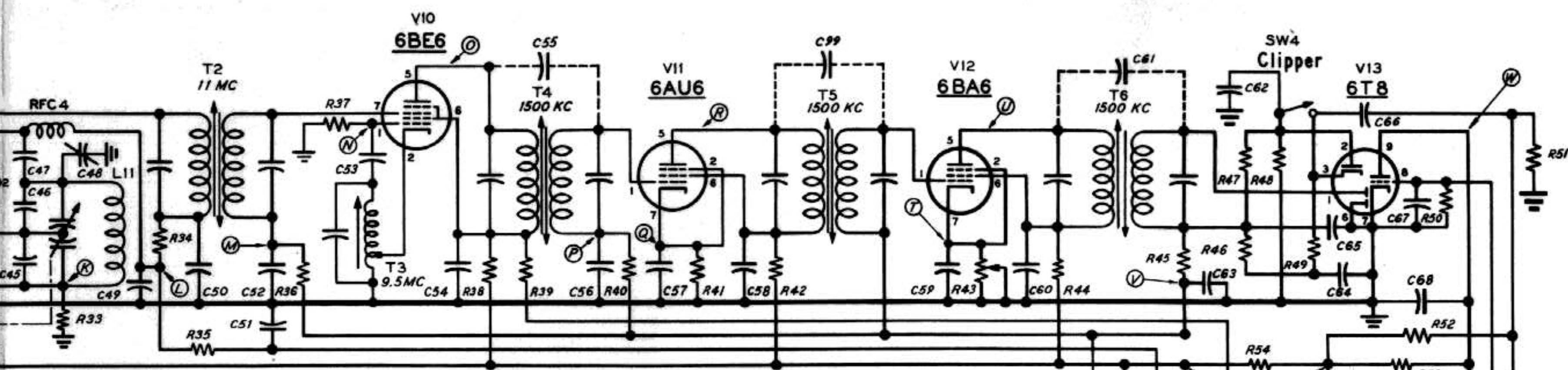


6 VOLT or 12 VOLT POW
NOT INTERCHANGEABLE



Shown Jumpered for 6 Volts
MODULATOR - TRANSMITTER FILAMENTS





Shown Jumpered for 6 Volts
RECEIVER FILAMENTS

6 METER COMMUNICATOR
49 - 54 MC. AM
MODEL 3049 (6 Volt)

This Communicator contains
CODE 'C' - Transmitter
CODE 'D' - Receiver
CODE 'A' - Power Supply

VOLTAGE CHART	
All voltages measured with VTVM having input resistance of at least 10 megohms. (50 ohm input, no signal)	